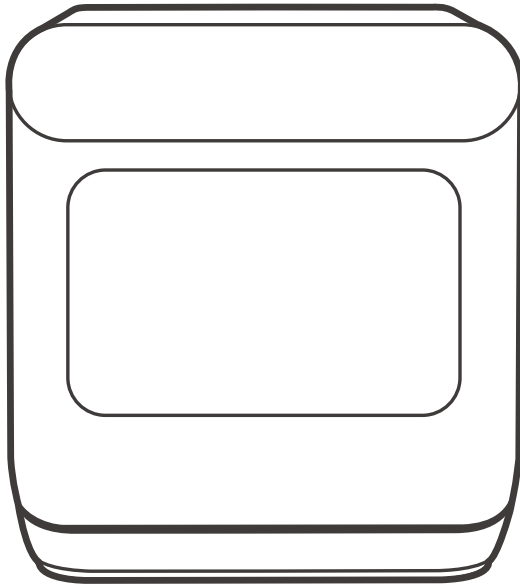


# **DISHWASHER**

## Instruction Manual

### **MDWS-2703**



Please keep it as a refer  
in the later days.

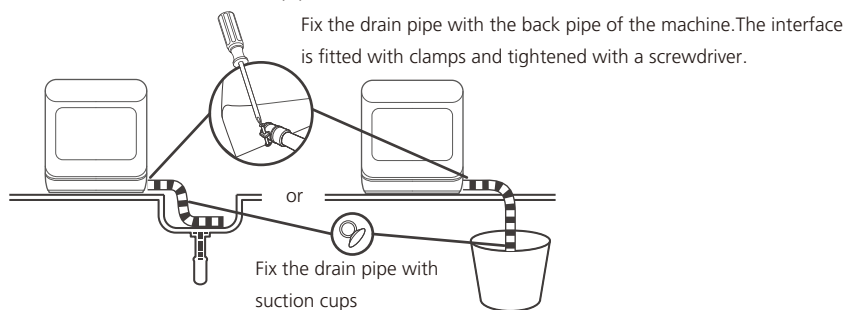
# QUICK USER GUIDE

Please read the corresponding content on the instruction manual for detailed operating method.

## Connected to power supplies

The power supply is 220-240V AC 50Hz  
the specification of the socket is 10A 250V AC

The connection of the drain pipe: Put end of the drain into a sink or bucket.



## Add water into the dishwasher's tank

**Note:** Before adding water, you need to press power button to turn on the dishwasher

There are two ways to add water into the tank:

- 1 Connect inlet hose to the tap;
- 2 Open the cap and add water into the dishwasher's tank manually


There are two ways of prompting the tank that full of water

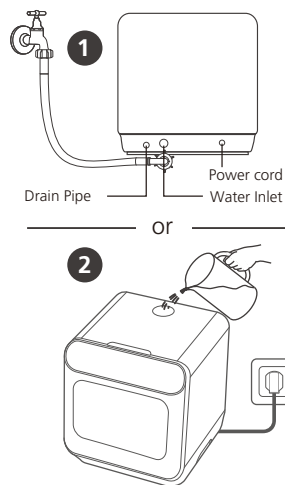
### 1. Before starting:

When the tank is full of water, the machine will beep fleetly for 3 seconds.

### 2. After starting :

Water is not enough,  light is on;

Water is enough,  light will be off and the machine will beep fleetly for 3 seconds.



## Remove the larger residue

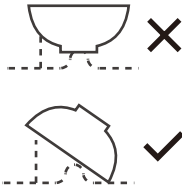
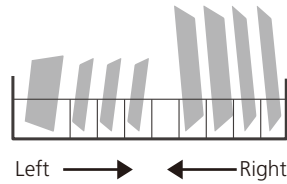
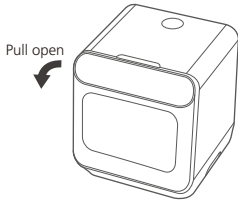
Please remove the large residue before placing.



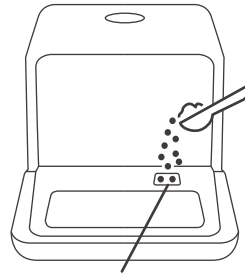
## Open the door, placing the dishes and adding detergent

Placing order by size and from the two sides to the middle. All cutlery are suggested to be tilted to improve cleaning performance.

The arm will be blocked with the improper placement of the cutlery and cleaning effect may not be ideal.

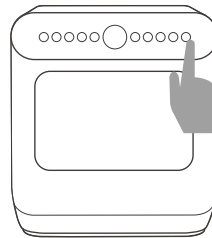
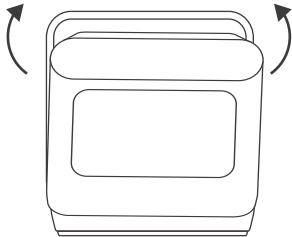


DO NOT place the dishwares in the upper direction or may affect the cleaning performance. Try to leave the dirty face towards the spray arm.



The place is for adding the detergent

## Close the door, select the program and start the dishwasher



# CONTENTS

Please carefully read this manual before using the dishwasher, it will help you use and maintain the dishwasher properly .

01	5	<b>IMPORTANT SAFETY INSTRUCTIONS</b>
02	10	<b>GETTING TO KNOW YOUR APPLIANCE</b>
	10	Dishwasher features
	11	Control panel
03	13	<b>USING YOUR DISHWASHER</b>
	13	Loading the salt into the softener
	14	Adjusting Salt Consumption
	15	Loading the dishwasher baskets
	22	Filling the dispenser
04	24	<b>PROGRAMMING THE DISHWASHER</b>
	24	Wash cycle table
	26	Turning on the appliance
	26	Change the programme
	27	Forget to add a dish?
	28	At the end of the wash cycle
05	28	Forced drainage operation
	29	<b>MAINTENANCE AND CLEANING</b>
	29	Filter system
	30	Caring for the dishwasher
	32	How to keep your dishwasher in shape
06	33	<b>INSTALLATION INSTRUCTION</b>
	33	Installation preparation
	33	Positioning the Appliance
	34	About Power Connection
	34	Water Connection
07	35	Connection of drain hoses
	36	<b>TROUBLESHOOTING TIPS</b>
	36	Before calling for service
	39	Error codes
	40	Technical information

# IMPORTANT SAFETY INSTRUCTIONS

---

## **⚠ WARNING**

**When using your dishwasher, follow the precautions listed below:**

- This appliance is intended to be used in household and similar applications such as:
  - staff kitchen areas in shops, offices and other working environments;
  - farm houses;
  - by clients in hotels, motels and other residential type environments;
  - bed and breakfast type environments.
- This appliance can be used by children aged from 8 years and above and persons with reduced physical, sensory or mental capabilities or lack of experience and knowledge if they have been given supervision or instruction concerning use of the appliance in a safe way and understand the hazards involved. Children shall not play with the appliance. Cleaning and user maintenance shall not be made by children without supervision.(For EN60335-1).
- This appliance is not intended for use by persons(including children )with reduced physical, sensory or mental capabilities, or lack of

experience and knowledge, unless they have been given supervision or instruction concerning use of the appliance by a person responsible for their safety (For IEC 60335-1).

- This appliance is for indoor use only, for household use only.
- To protect against the risk of electrical shock, do not immerse the unit, cord or plug in water or other liquid.
- Please unplug before cleaning and maintaining the appliance.
- Use a soft cloth moisten with mild soap, and then use a dry cloth to wipe it again.

## **Earthing instructions**

---

- This appliance must be earthed. In the event of a malfunction or breakdown, earthing will reduce the risk of an electric shock by providing a path of least resistance of electric current. This appliance is equipped with a cord having an equipment-earthing conductor and a earthing plug.
- The plug must be plugged into an appropriate outlet that is installed and earthed in accordance with all local codes and ordinances.

- Do not modify the plug provided with the appliance; If it does not fit the outlet. Have a proper outlet installed by a qualified electrician.
- Improper connection of the equipment-earthing conductor can result in the risk of an electric shock.
- Check with a qualified electrician or service representative if you are in doubt whether the appliance is properly earthed.

## • **General use**

---

- Do not abuse, sit on, or stand on the door or dish rack of the dishwasher.
- Do not operate your dishwasher unless all enclosure panels are properly in place.
- Open the door very carefully if the dishwasher is operating, there is a risk of water squirting out.
- Do not place any heavy objects on or stand on the door when it is open. The appliance could tip forward.
- When loading items to be washed:
  - 1) Locate sharp items so that they are not likely to damage the door seal;
  - 2) **Warning:**Knives and other utensils with sharp points must be loaded in the basket with their points down or placed in a horizontal position.
- Check that the detergent powder is empty after completion of the wash cycle.

- Do not wash plastic items unless they are marked dishwasher safe or the equivalent. For plastic items without mark, check the manufacturer's recommendations.
- Use only detergent additives designed for an automatic dishwasher.
- Never use soap, laundry detergent, or hand washing detergent in your dishwasher
- Children should be supervised to ensure that they do not play with the appliance.
- The door should not be left open, since this could increase the risk of tripping.
- If the supply cord is damaged, it must be replaced by the manufacturer or its service agent or a similarly qualified person in order to avoid a hazard.
- During installation, the power supply must not be excessively or dangerously bent or flattened.
- Do not tamper with controls.
- The appliance is to be connected to the water mains using new hose sets and that old hose-sets should not be reused.
- The maximum number of place settings to be washed is 2.
- The maximum permissible inlet water pressure is 1MPa.
- The minimum permissible inlet water pressure is 0.04MPa.



## Disposal

---

- For disposing of package and the appliance please go to a recycling centre. Therefore cut off the power supply cable and make the door closing device unusable.



- Cardboard packaging is manufactured from recycled paper and should be disposed in the waste paper collection for recycling.
- By ensuring this product is disposed of correctly, you will help prevent potential negative consequences for the environment and human health, which could otherwise be caused by inappropriate waste handling of this product.
- For more detailed information about recycling of this product, please contact your local city office and your household waste disposal service.
- **DISPOSAL:** Do not dispose this product as unsorted municipal waste. Collection of such waste separately for special treatment is necessary.

# GETTING TO KNOW YOUR APPLIANCE

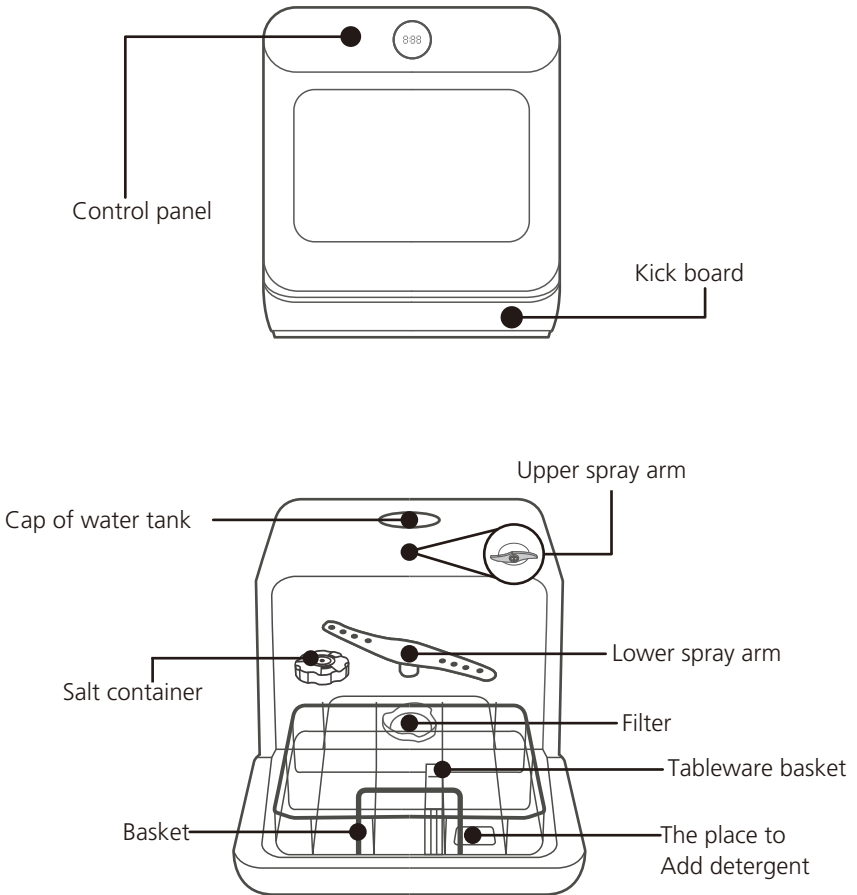
---

**IMPORTANT:**

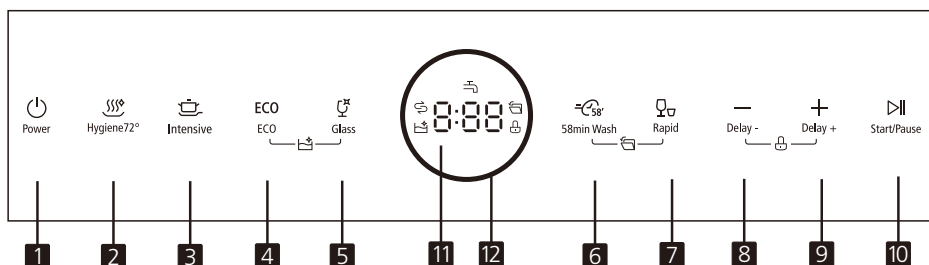
Before using this dishwasher for the first time and to get the best performance, read these instructions.

## • Dishwasher features

---














## Control panel



### Buttons

<b>1 Power</b>	To turn on and off.
<b>2 Hygiene 72°</b>	Press the button to select Hygiene 72° program.
<b>3 Intensive</b>	Press the button to select Intensive program. For heavily soiled items include pots and pans with dried-on food.
<b>4 ECO</b>	Press the button to select ECO program. This is the standard program suitable for normally soiled loads, such as pots, plates, glasses and lightly soiled pans.
<b>5 Glass</b>	Press the button to select Glass program. For lightly soiled crockery and glass. Press <b>4</b> and <b>5</b> together for 3 seconds to start self-clean program to provides an effective cleaning of the dishwasher itself.
<b>6 58min wash</b>	Press the button to select 58min wash program.
<b>7 Rapid</b>	Press the button to select Rapid wash program. A shorter wash for lightly soiled loads that do not need drying. Press <b>6</b> and <b>7</b> together for 3 seconds to switch on/off auto door opening function in all the programs.
<b>8 Delay -</b>	Press this button to reduce the delayed hours for washing. One press on this button reduce the delay of the start of washing by one hour.

## • Control panel

<p><b>9 Delay +</b></p>	<p>Press this button to set the delayed hours for washing. You can delay the start of washing up to 24 hours. One press on this button delays the start of washing by one hour.</p> <p>Press <b>8</b> and <b>9</b> together for 3 seconds to activate or inactivate child lock. Child lock allows you to lock the buttons except the Power button.</p>
<p><b>10 Start/Pause</b></p>	<p>To start the selected washing program or pause it when the dishwasher is working.</p>
<p><b>11 Screen</b></p>	<p> <b>Digital Display</b> To show the remaining time and delay time, functions, error codes etc.</p> <p> <b>Salt</b> If the “” indicator is lit, it means the dishwasher is low on dishwasher salt and needs to be refilled.</p> <p> <b>Water Faucet</b> If the “” indicator is lit, it means the water faucet closed.</p> <p> <b>Auto Open</b> If the “” indicator is lit, it means the door will open automatically for better drying.</p> <p> <b>Child lock</b> If the “” indicator is lit, it means the child lock is on.</p> <p> <b>Self Clean</b> If the “” indicator is lit, it means the self-clean program is running.</p>
<p><b>12 Light ring</b></p>	<p>The color of the ring will turn red if the water temperature is over 59 °C.</p>

# USING YOUR DISHWASHER

## ⚠ NOTE

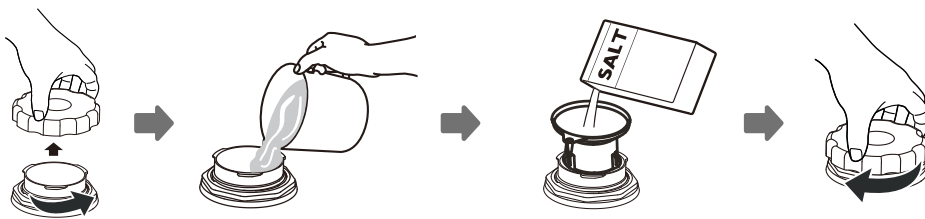
If your model have no water softener, you may skip this section.

## • Loading the salt into the softener

Always use salt intended for use with dishwasher. The salt container is located beneath the basket and should be filled as follows:

## ⚠ WARNING

- Only use salt specifically designed for dishwashers use!  
Every other type of salt not specifically designed for dishwasher use, especially table salt, will damage the water softener. In case of damages caused by the use of unsuitable salt the manufacturer does not give any warranty nor is liable for any damages caused.
- Only fill with salt before running a cycle.  
This will prevent any grains of salt or salty water, which may have been spilled, remaining on the bottom of the machine for any period of time, which may cause corrosion.



- A. Remove the basket and then unscrew and remove the cap from the salt container.
- B. Before first wash, add 1lt. of water in the salt container of your machine.
- C. Place the end of the funnel (supplied) into the hole and introduce about, 0.13kg of salt. It is normal for a small amount of water to come out of the salt container.
- D. After filling the container, screw the cap tightly back clockwise.

- E. Usually, the salt warning light will be cease to be illuminated within 2-6 days after the salt container has been filled with salt.
- F. Immediately after filling the salt into the salt container, a washing programme should be started (Suggest choose rapid program). Otherwise filter system, pump or other important parts of the machine may be damaged by salty water. It is out of warranty.

**⚠ NOTE**

- The salt container must only be refilled when the salt warning light in the control panel comes on. Depending on how fully the salt dissolves, the salt warning light may still be on even though the salt container is filled. If there is no salt warning light in the control panel (For some Models), you can judge when to load the salt into the softener by the cycles that the dishwasher had run.
- If there are spills of the salt, a soak or a rapid program should be run to remove the excess salt.

## • **Adjusting Salt Consumption**

---

Please follow the steps below for adjustment in salt consumption.

### **Step 1: Enter the status of salt adjustment**

Close the door, within 60 seconds after power on, press Program button and hold for 5 seconds, the machine will enter setting mode.

### **Step 2: select a certain level of salt consumption**

Press the Program button to select the proper set according to your local environment, the sets will change in the following sequence:

H1->H2->H3->H4->H5->H6.

### **Step 3: Exit the status of salt adjustment**

Without any operation in five seconds, the machine will exit from set mode, the machine is into standby status.

There are 6 levels of salt consumption in all. It is recommended to select the level according to below table:

WATER HARDNESS		Setting on the water softener	Digital display stalls	Salt consumption(gram/cycle)
°dH <sup>1)</sup>	Mmol/l <sup>2)</sup>			
0 - 5	0 - 0.94	1	H1	0
6 - 11	1.0 - 2.0	2	H2	4
12 - 17	2.1 - 3.0	3 <sup>3)</sup>	H3	8
18 - 22	3.1 - 4.0	4	H4	13
23 - 34	4.1 - 6.0	5	H5	20
35 - 55	6.1 - 9.8	6	H6	40

1) German degree of measurement for the water hardness

2) millimol, international unit for water hardness

3) factory setting

Contact your local water board for information on the hardness of your water supply.

## ● Loading the dishwasher baskets

### Recommendation

- Consider buying utensils which are identified as dishwasher-proof.
- Use a mild detergent that is described as 'kind to dishes'. If necessary, seek further information from detergent manufacturers.
- For particular items, select a program with as low temperature as possible.
- To prevent damage, do not take glass and cutlery out of the dishwasher immediately after the program has ended.

## **Suitability of use in the dishwasher**

### **Not suitable for use:**

- Cutlery with wooden, horn, china or mother-of-pearl handles
- Plastic items that are not heat resistant
- Older cutlery with glued parts that are not temperature resistant
- Bonded cutlery items or dishes
- Pewter or copper items
- Crystal glass
- Steel items subject to rusting
- Wooden items
- Items made from synthetic fibres

### **Limited suitability:**

- Some glasses can become dull after a large number of washes.
- Silver and aluminium have a tendency to discolour during washing.
- Glazed patterns may fade if washed frequently.

## **Attention before or after loading the dishwasher baskets**

(For the best performance of the dishwasher, follow these loading guidelines. Features and appearance of baskets and cutlery baskets may vary from your model.)  
Scrape off any large food particles. Soften remnants of burnt food in pans. It is not necessary to rinse the dishes under running water. Place objects in the dishwasher in following way:

- Items such as cups, glasses, pots/pans, etc. are face downwards.
- Curved items, or those with recesses, should be loaded at an angle so that water can run off.
- All utensils are stacked securely and can not tip over.
- All utensils are placed in the way that the spray arms can rotate freely during washing.

### **⚠ NOTE**

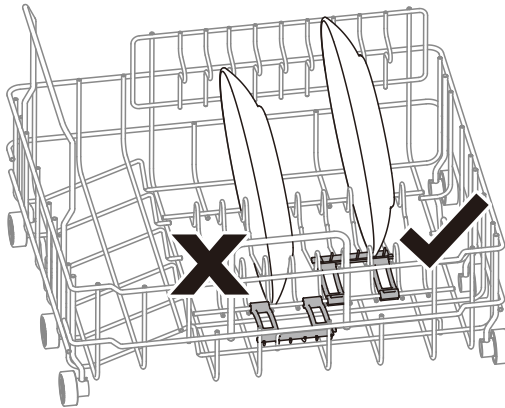
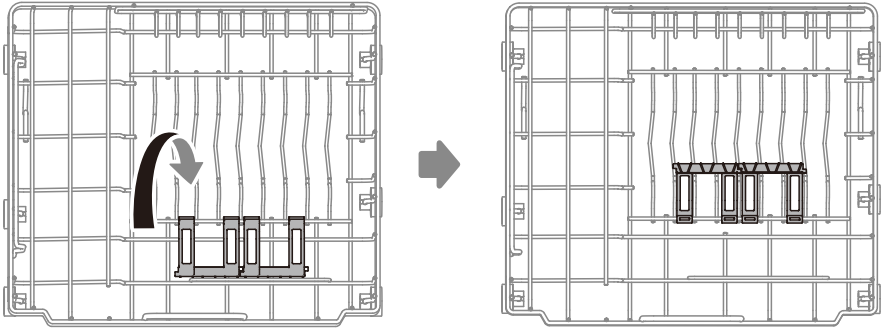
Very small items should not be washed in the dishwasher as they could easily fall out of the basket.

- Load hollow items such as cups, glasses, pans etc. with the opening facing downwards so that water cannot collect in the container or a deep base.
- Dishes and items of cutlery must not lie inside one another, or cover each other.
- To avoid damage to glasses, they must not be touched.
- Long bladed knives stored in an upright position are a potential hazard!
- Long and/or sharp items of cutlery such as carving knives must be positioned horizontally in the basket.
- Please do not overload your dishwasher. This is important for good results and for reasonable energy consumption.



## Use of the dishware support

Small-size dishware will drop through the basket and block the rotation of spray arm. Flip the dishware support inward to support the small-size dishware.

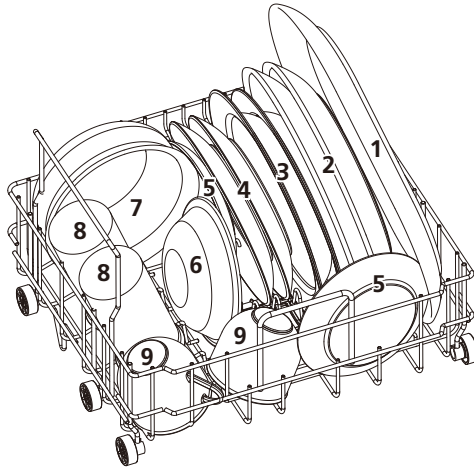


# • Loading the basket according to EN50242

---

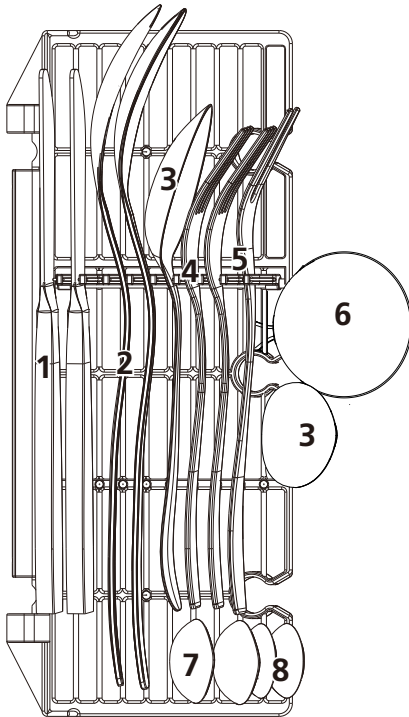
## Loading basket

Position the dishes and cookware so that they will not get moved by the spray of water.



Number	Item
1	Oval Plate
2	Dinner Plate
3	Soup Plate
4	Dessert Dish
5	Saucer
6	Small Serving Bowl
7	Medium Serving Bowl
8	Glass
9	Cup

## Loading the cutlery basket



Number	Item
1	Knife
2	Serving spoon
3	Soup spoon
4	Fork
5	Serving fork
6	Gravy ladle
7	Dessert spoon
8	Tea spoon

For personal safety and a top quality clean, make sure place the silverware in the basket as follows:

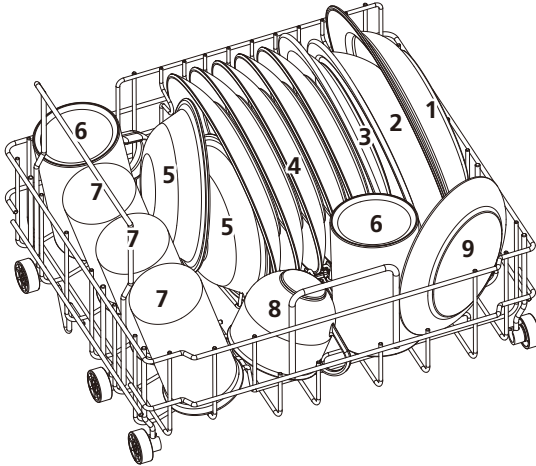
- They do not nest together.
- Place silverware with handles-down.
- But place knives and other potentially dangerous utensils handles-up.

# • Loading the basket according to EN60436

---

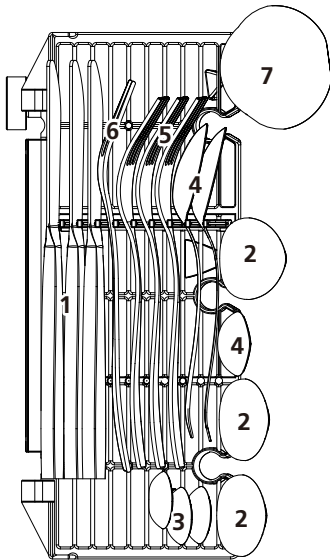
## Loading basket

Position the dishes and cookware so that they will not get moved by the spray of water.



Number	Item
1	Soup plate
2	Melamine bowl
3	Melamine dessert plate
4	Dessert plate
5	Dessert bowl
6	Mug
7	Glass
8	Cup
9	Saucer

## Loading the cutlery basket



Number	Item
1	Knife
2	Soup spoon
3	Teaspoon
4	Dessert spoon
5	Fork
6	Serving fork
7	Gravy ladle

For personal safety and a top quality clean, make sure place the silverware in the basket as follows:

- They do not nest together.
- Place silverware with handles-down.
- But place knives and other potentially dangerous utensils handles-up.


## • Filling the detergent

---

### **⚠ WARNING**

- **Only use detergent specifically for dishwashers.**

Never use any other detergents. This will damage the appliance.

-  **Dishwasher detergent is corrosive! Keep dishwasher detergent out of the reach of children.**

### **Concentrated Detergent**

Based on their chemical composition, detergents can be split in two basic types:

- Conventional, alkaline detergents with caustic components.
- Low alkaline concentrated detergents with natural enzymes.

The use of Normal washing program in combination with concentrated detergent reduces pollution and is good for your dishes.

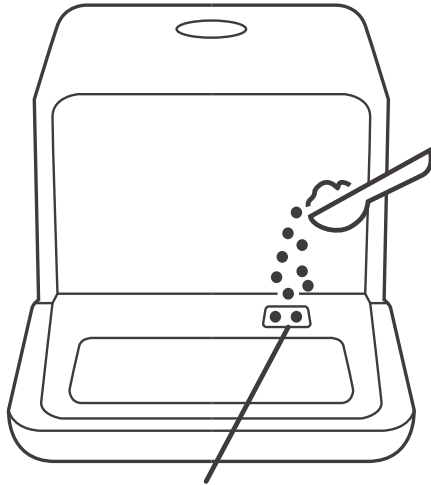
### **Detergent Tablets**

Detergent tablets of different brands dissolve at different speeds. For this reason some detergent tablets cannot dissolve and develop their full cleaning power during short programs. Therefore please use long programs when using detergent tablets, to ensure the complete removal of detergent residuals.

### **Detergent**

The detergent must be refilled before the start of each wash cycle following the instructions provided in the Wash Cycle Table. Your dishwasher uses less detergent than conventional dishwasher. Generally, only one tablespoon of detergent is needed for a normal wash load. More heavily soiled items need more detergent. Always add the detergent just before starting the dishwasher, otherwise it could get damp and will not dissolve properly.

## Adding detergent









The palce to add the detergent

# PROGRAMMING THE DISHWASHER

## Wash cycle table according to EN50242

The table below shows the best programmes for the levels of food residue on them and how much detergent is needed. It also show various information about the programmes.

Program	Cycle Selection Information	Description Of Cycle	Detergent	Time (min)	Energy (Kwh)	Water (L)
<b>ECO</b> (*EN 50242)	The standard programme, suitable to clean normally soiled tableware and is the most efficient programme in terms of its combined energy and water consumption for that type of tableware.	Wash (55 °C) Rinse Rinse (70 °C) Drying	6 g	155	0.43	6L
 Hygiene 72°	Use to sanitize your dishes and glassware. Maintains the water temperature at around 72 °C.	Wash(70 °C) Rinse Rinse(72 °C) Drying	6 g	115	0.59	6L
 Intensive	For heavily soiled items include pots and pans with dried-on food.	Wash (62 °C) Rinse Rinse (70 °C) Drying	6 g	160	0.58	6L
 Glass	For lightly soiled loads, such as glasses, crystal and fine china	Wash(50 °C) Rinse Rinse(65 °C) Drying	6 g	85	0.38	6L
 58min Wash	For normally soiled loads that need quick wash.	Wash(55 °C) Rinse Rinse(65 °C) Drying	6 g	58	0.39	6L
 Rapid	A shorter wash for lightly soiled loads that do not need drying.	Wash (50 °C) Rinse Rinse (60 °C)	6 g	29	0.29	6L
 Self-cleaning	To provides an effective cleaning of the dishwasher itself	Wash (60 °C) Rinse Rinse (70 °C)	6 g	65	0.43	6L

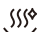





### NOTE

**EN50242:** This program is the test cycle. The information for comparability test in accordance with EN50242, are as follows: The power consumption of off-mode is 0.45W, left-on mode is 0.49W



## Wash cycle table according to EN60436

The table below shows the best programmes for the levels of food residue on them and how much detergent is needed. It also show various information about the programmes.

Program	Cycle Selection Information	Description Of Cycle	Detergent	Time (min)	Energy (Kwh)	Water (L)
<b>ECO</b> (*EN 50242)	The standard programme, suitable to clean normally soiled tableware and is the most efficient programme in terms of its combined energy and water consumption for that type of tableware.	Wash (55 °C) Rinse Rinse (70 °C) Drying	11 g	155	0.43	6L
 Hygiene 72°	Use to sanitize your dishes and glassware. Maintains the water temperature at around 72 °C.	Wash(70 °C) Rinse Rinse(72 °C) Drying	11 g	115	0.59	6L
 Intensive	For heavily soiled items include pots and pans with dried-on food.	Wash (62 °C) Rinse Rinse (70 °C) Drying	11 g	160	0.58	6L
 Glass	For lightly soiled loads, such as glasses, crystal and fine china	Wash(50 °C) Rinse Rinse(65 °C) Drying	11 g	85	0.38	6L
 58min Wash	For normally soiled loads that need quick wash.	Wash(55 °C) Rinse Rinse(65 °C) Drying	11 g	58	0.39	6L
 Rapid	A shorter wash for lightly soiled loads that do not need drying.	Wash (50 °C) Rinse Rinse (60 °C)	11 g	29	0.29	6L
 Self-cleaning	To provides an effective cleaning of the dishwasher itself	Wash (60 °C) Rinse Rinse (70 °C)	11 g	65	0.43	6L

### NOTE

**EN60436:** This program is the test cycle. The information for comparability test in accordance with EN60436, are as follows: The power consumption of off-mode is 0.45W, left-on mode is 0.49W

## • Turning on the appliance

---

Starting a wash cycle...

Draw out the basket(see the section entitled "Loading the Dishwasher").

Pour in the detergent (see the section "Fill the detergent").

Insert the plug into the socket. The power supply is 220-240VAC 50Hz, the specification of the socket is 10A 250V AC.

Press the power button to turn on the appliance,

Connect the inlet hose to the tap, make sure that the water supply is turned on to full pressure, or add water the the tank manually.

select a suitable program according to the "Wash cycle table";

If a program is selected, the corresponding light will be lit. Then press the Start/Pause button, the dishwasher begins to start.

### NOTE

When you press the Start/Reset button to pause during washing, the dishwasher will beep every minute unless you press the Start/Reset button to start.

## • Change the programme

---

Premise: You can modify the washing program, if the dishwasher just worked for a short time. Otherwise, the detergent may have already been released, and the appliance may have already drained the wash water in this case, the cycle must be restarted.

Press Start/Pause Button to pause the machine when the door is closed, Press Program Button for more than 3 seconds the machine will be in stand-by state, then you can change the program to the desired cycle setting (see the section entitled "Starting a wash program" ).

The Display window shows the state of the dishwasher:

- a) Display window shows "-:--" -----> stand by;
- b) Display window shows "H:MM" and not blinking -----> pause;
- c) Display window shows "H:MM" and blinking -----> run;
- d) Display window shows "END" -----> end.

**⚠ NOTE**

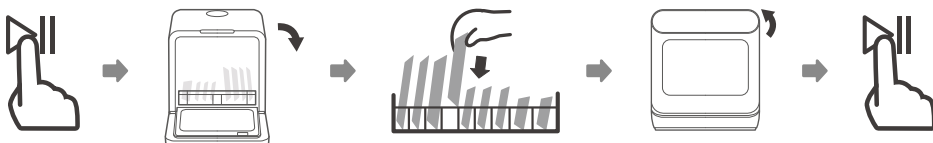
If you open the door during washing, the machine will pause. When you and press the Start/Pause Button, the machine will keep on working after 10 seconds.

If your model has broken remember function, the machine will go on to finish the selected program after the power cut.

## • Forget to add a dish?

A forgotten dish can be added any time before the detergent dispenser opens. If this is the case, follow the instructions below:

1. Press the Start/Pause button.
2. Open the door.
3. Add forgotten dishes.
4. Close the door.
5. Press the Start/Pause button, the dishwasher will run .



## • **At the end of the Wash Cycle**

---

When the working cycle has finished, the buzzer of dishwasher will sound 8 seconds, then stop. Turn off the appliance using the ON/OFF button, shut off the water supply and open the door of the dishwasher. Wait a few minutes before unloading the dishwasher to avoid scald, the dishes and utensils are still hot and more susceptible to breakage. They will also dry better.

- **Switch Off the Dishwasher**

1. Switch off the dishwasher by pressing the ON/OFF button.
2. Turn off the water tap.

- **Open the door carefully**

Hot dishes are sensitive to knocks. The dishes should be allowed to cool down around 15 minutes before removing from the appliance.

Open the dishwasher's door, leave it open and wait a few minutes before removing the dishes. In this way they will be cooler and the drying will be improved.

- **Unloading the dishwasher**

It is normal that the dishwasher is wet inside.

**⚠ WARNING**

It is dangerous to open the door when washing, because the hot water may scald you.

## • **Forced drainage operation**

---

In standby mode, you can press and hold "Hygiene" button + "Rapid" button for 3 seconds simultaneously to drain the water tank.

# MAINTENANCE AND CLEANING

## Filter system

### ⚠️ **WARNING**

- **Never use the dishwasher without filters!**
- **Make sure the filter is properly assembled.**

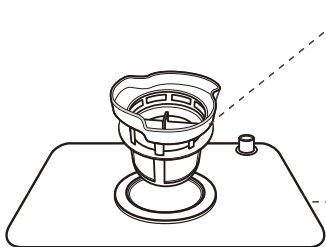
The performance may be affected and dishes and utensils could become damaged.

The filter efficiently removes food particles from the wash water, allowing it to be recycled during the cycle.

For best performance and results, the filter assembly must be cleaned regularly

For this reason, it is a good idea to move the larger food particles trapping in the filter after each wash cycle by rinsing the filter and cup under running water.

To remove the filter assembly, rotate the filter handle anticlockwise and then pull the handle in the upward direction.



### • B. Fine filter

This filter holds soil and food residues in the sump area and prevents it from being deposited on the dishes during wash cycle.

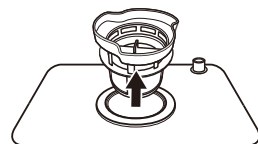
### • A. Main filter

Food and soil particles trapped in this filter are pulverized by a special jet on the lower spray arm and washed down to drain.

Step 1: Contrarotate the filter assembly, then lift it all up.



Step 2: Lift fine filter up from main filter.



**⚠ NOTE**

If do it from step1 to step 2, the filter system will be removed; while if do it from Step 2 to Step 1, the filter system will be installed.  
The entire filter assembly should be cleaned once a week.

- Inspect the filters for blocking after every time the dishwasher has been used.
- By unscrewing the coarse filter, you can remove the filter system. Remove any food remnants and clean the filters under running water.

**⚠ WARNING**

When cleaning the filters, don't knock on them. Otherwise, the filters could be contorted and the performance of dishwasher could be decreased.

## • **Caring for the Dishwasher**

---

The control panel can be cleaned by using a lightly dampened cloth. After cleaning, make sure to dry it thoroughly. For the exterior use a good appliance polish wax. Never use sharp objects, scouring pads or harsh cleaners on any part of the dishwasher.

### **Cleaning The Door**

To clean the edge around the door, you should use only a soft warm, damp cloth. To avoid penetration of water into the door lock and electrical components, do not use a spray cleaner of any kind.

**⚠ WARNING**

- Never use a spray cleaner to clean the door panel as it may damage the door lock and electrical components.

## **Protect against freezing**

please take frost protection measures on the dishwasher in winter. Each time after washing cycles, please operate as follows.

1. Cut off electrical power to the dishwasher.
2. Turn off the water supply and disconnect the water inlet pipe from the water valve.
3. Drain water from the inlet pipe and water valve (Use a pan to catch the water).
4. Reconnect the water inlet pipe to the water valve.
5. Remove the filter at the bottom of the tub and use a sponge to soak up water in the sump.

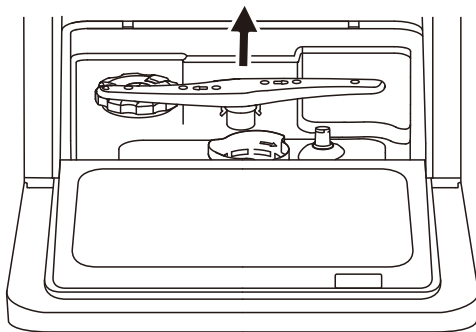
### **⚠ NOTE**

If your dishwasher cannot work because of the ice, please contact authorised service person.

## **Cleaning the spray arms**

The spray arms can be easily removed for periodic cleaning of the nozzles to prevent possible clogging. Wash them under running water and carefully replace them in their seats, checking that their rotary movement is in no way impeded.

Grasp the middle of the spray arm, pull it upwards to remove it. Wash the arms under a jet of running water and replace it carefully to its seat. After reassembly, check that the spray arms rotate freely. Otherwise, check that they have been installed correctly.



## • **How to keep your dishwasher in shape**

---

### **After every wash**

After every wash, turn off the water supply to the appliance and leave the door slightly open so that moisture and odours are not trapped inside.

### **Remove the plug**

Before cleaning or performing maintenance, always remove the plug from the socket.

### **No solvents or abrasive cleaning**

To clean the exterior and rubber parts of the dishwasher, do not use solvents or abrasive cleaning products. Only use a cloth with warm soapy water.

To remove spots or stains from the surface of the interior, use a cloth dampened with water and a little vinegar, or a cleaning product made specifically for dishwashers.

### **When not in use for a longtime**

It is recommended that you run a wash cycle with the dishwasher empty and then remove the plug from the socket, leave the door of the appliance open. This will help the door seals to last longer and prevent odours from forming within the appliance.

### **Moving the appliance**

If the appliance must be moved, try to keep it in the vertical position. If absolutely necessary, it can be positioned on its back.



# INSTALLATION

---

## **⚠ WARNING**



### **Electrical Shock Hazard**

Disconnect electrical power before installing dishwasher.

Failure to do so could result in death or electrical shock.

### **⚠ Attention**

The installation of the pipes and electrical equipments should be done by professionals.

## **• Installation preparation**

---

The installation position of dishwasher should be near the existing water inlet tap and drain outlet and power socket.

One side of the cabinet sink should be chosen to facilitate the connection of drain hose of the dishwasher.

## **• Positioning the Appliance**

---

Position the appliance in the desired location. The back should rest against the wall behind it, and the sides, along the adjacent cabinets or wall. The dishwasher is equipped with water supply and drain hoses that can be positioned to the right or the left to facilitate proper installation.

## • About Power Connection

---

### ⚠️ **WARNING**

For personal safety:

- Do not use an extension cord or an adapter plug with this appliance.
- Do not, under any circumstances, cut or remove the earthing connection from the power cord.

### **Electrical Requirements**

Please look at the rating label to know the rating voltage and connect the dishwasher to the appropriate power supply. Use the required fuse 10 amp, time delay fuse or circuit breaker recommended and provide separate circuit serving only this appliance.

### **Electrical Connection**

Ensure the voltage and frequency of the power being corresponds to those on the rating plate. Only insert the plug into an electrical socket which is earthed properly. If the electrical socket to which the appliance must be connected is not appropriate for the plug, replace the socket, rather than using a adaptors or the like as they could cause overheating and burns.

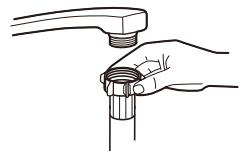
**⚠️ Ensure that proper earthing exists before use**

## • Water Connection

---

Connect the cold water supply hose to a threaded 3/4(inch) connector and make sure that it is fastened tightly in place. If the water pipes are new or have not been used for an extended period of time, let the water run to make sure that the water is clear and free of impurities. If this precaution is not taken, there is a risk that the water inlet can get blocked and damage the appliance.

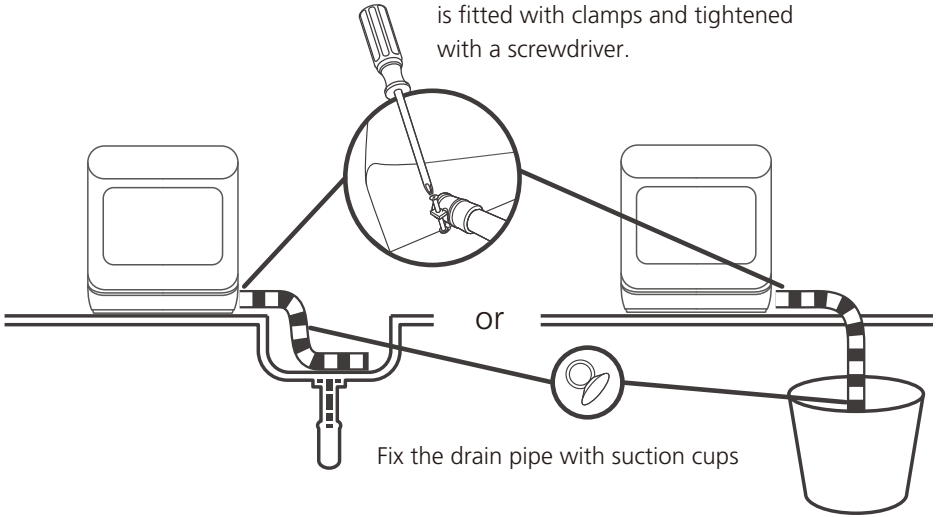
Please Note: If the supplied hose does not fit your tap, please contact your local plumbing supply center where adapters are available for purchase.



## • Connection of drain hoses

---

Fix the drain pipe with the back pipe of the machine. The interface is fitted with clamps and tightened with a screwdriver.



Fix the drain pipe with suction cups

The connection of the drain pipe: Put end of the drain into a sink or bucket.

### **How to Drain Excess Water From Hoses**

If the sink is more than 1000 mm higher than the floor, the excess water in hoses cannot be drained directly into the sink. It will be necessary to drain excess water from hoses into a bowl or suitable container that is held outside and lower than the sink.

### **Water Outlet**

Connect the water drain hose. The drain hose must be correctly fitted to avoid water leaks. Ensure that the water drain hose is not kinked or squashed.

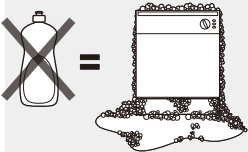
### **Extension Hose**

If you need a drain hose extension, make sure to use a similar drain hose. It must be no longer than 4 metres, otherwise the cleaning effect of the dishwasher could be reduced.

# TROUBLESHOOTING TIPS

## • Before calling for service

Reviewing the charts on the following pages may save you from calling for service.

Problem	Possible Causes	What To Do
Dishwasher doesn't start	Fuse blown, or the circuit break tripped.	Replace fuse or reset circuit breaker. Remove any other appliances sharing the same circuit with the dishwasher.
	Power supply is not turned on.	Make sure the dishwasher is turned on and the door is closed securely. Make sure the power cord is properly plugged into the wall socket.
	Error code:E1; Water pressure is low	Check that the water supply is connected properly and the water is turned on.
	Door of dishwasher not properly closed.	Make sure to close the door properly and latch it.
Water not pumped form dishwasher	Twisted or trapped drain hose.	Check the drain hose.
	Filter clogged.	Check coarse the filter.
	Kitchen sink clogged.	Check the kitchen sink to make sure it is draining well.If the problem is the kitchen sink that is not draining, you may need a plumber rather than a serviceman for dishwashers.
Suds in the tub	Wrong detergent. 	Use only the dedicated dishwasher detergent to avoid suds. If suds exist in the washer. Open the door for 20-30 minutes to allow the foam to evaporate. If the foam still exists in the liner. Add 1.5L of water to the liner, close the dishwasher door and run a forced drain to drain it with the water. Repeat above operation until the foam is cleared.

<b>Problem</b>	<b>Possible Causes</b>	<b>What To Do</b>
Stained tub interior	Detergent with colourant may have been used.	Make sure that the detergent has no colourant.
White film on inside surface	Hard water minerals.	To clean the interior, use a damp sponge with dishwasher detergent and wear rubber gloves. Never use any other cleaner than dishwasher detergent otherwise, it may cause foaming or suds.
There are rust stains on cutlery	The affected items resistant.	Avoid washing items that are not corrosion resistant in the dishwasher
	A programme was not run after dishwasher salt was added. Traces of salt have gotten into the wash cycle.	Always run a wash programme without any crockery after adding salt.
	The lid of the softer is loose.	Check the softener lid is secure.
Knocking noise in the dishwasher	A spray arm is knocking against an item in a basket	Interrupt the programme and rearrange the items which are obstructing the spray arm.
Rattling noise in the dishwasher	Items of crockery are loose in the dishwasher.	Interrupt the programme and rearrange the items of crockery.
Knocking noise in the water pipes	This may be caused by on-site installation or the cross-section of the piping.	This has no influence on the dishwasher function. If in doubt, contact a qualified plumber.
The dishes are not clean	The dishes were not loaded correctly.	See notes in "Loading & unloading your dishwasher".
	The programme was not powerful enough.	Select a more intensive programme.

Problem	Possible Causes	What To Do
The dishes are not clean.	Not enough detergent was dispensed.	Use more detergent, or change your detergent.
	Items are blocking the movement of the spray arms.	Rearrange the items so that the spray can rotate freely .
	The filter combination is not clean or is not correctly fitted in the base of washcabinet. This may cause the spray arm jets to get blocked.	Clean and/or fit the filter correctly Clean the spray arm jets.
Cloudiness on glassware.	Combination of soft water and too much detergent.	Use less detergent if you have soft water and select a shorter cycle to wash the glassware and to get them clean.
White spots appear on dishes and glasses.	Hard water area can cause limescale deposits.	Add more detergent.
Black or grey marks on dishes	Aluminium utensils have rubbed against dishes	Use a mild abrasive cleaner to eliminate those marks.
The dishes are not drying	Improper loading	Load the dishwasher as suggested in the directions.
	Dishes are removed too soon	Do not empty your dishwasher immediately after washing. Open the door slightly so that the steam can come out. Take out the dishes until the inside temperature is safe to touch. Unload the lower basket first to prevent the dropping water from the upper basket.

Problem	Possible Causes	What To Do
The dishes are not drying	Wrong program has been selected.	With a short programme, the washing temperature is lower, decreasing cleaning performance. Choose a programme with a long washing time.
	Use of cutlery with a low-quality coating.	Water drainage is more difficult with these items. Cutlery or dishes of this type are not suitable for washing in the dishwasher.

## • Error codes

When some malfunctions come on, the appliance will display error codes to warn you:

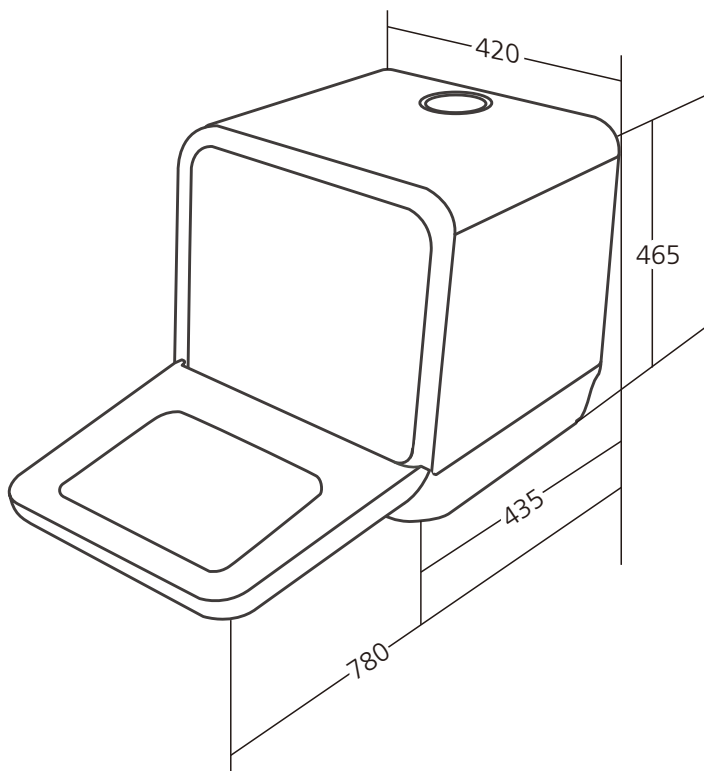
Codes	Meanings	Possible Causes
E1	Longer inlet time.	A flow meter, drain valve, or pump failure, it should be repaired by a qualified worker.
E3	Not reaching required temperature	Heating tube or thermistor anomaly, it should be repaired by a qualified worker.
E4	Overflow.	Some element of dishwasher leaks.
E8	Communication anomaly	It should be repaired by a qualified worker.

### **WARNING**

- If overflow occurs, turn off the main water supply before calling a service.
- If there is water in the base pan because of an overflow or small leak, the water should be removed before restarting the dishwasher.

## • Technical information

---



<b>Height</b>	465mm
<b>Width</b>	420mm
<b>Depth</b>	435mm
<b>Voltage connected Load</b>	see rating label
<b>Water pressure</b>	0.04 - 1.0MPa
<b>Power supply</b>	see rating label
<b>Capacity</b>	2 place settings(EN-50242) 3 place settings(EN-60436)





**Company Name: Foshan Shunde Midea Washing Appliances Mfg. Co., Ltd**  
**Address: No.20, Gangqian Road, Beijiao, Shunde, Foshan, Guangdong, 528311 P.R.China**